

Clamping Ring Drains

Shower Drains for Watertight Installations

www.noblecompany.com



Polished Stainless
#3925 PVC



Polished Stainless
#3926 PVC



Polished Brass
#3882 PVC



Oil Rubbed Bronze
#3891 PVC / #3927 ABS



Oil Rubbed Bronze
#3881 PVC



Brushed Golden Nickel
#392 PVC / #3921 ABS



Matte Silver
#3924 PVC / #3928 ABS



Matte Silver
#3923 PVC



Chrome Plated
#3912 PVC / #3913 ABS



Chrome Plated
#391 PVC / 3911 ABS

BENEFITS

High-quality shower drains that create a watertight connection with the waterproofing membrane. Premium components ensure dependable, long-term performance.

- Meets plumbing code requirements
- Ideal for wet areas like tiled showers, baths, etc.
- Available with either square or round strainers in various finishes
- Quality construction helps ensure performance
- Mechanical attachment provides waterproofing integrity
- Weep slots and holes on both sides of collar maximize drainage
- Brass inserts in collar and tailpiece prevent damage from over-tightening
- Over 2" of adjustment in height





HOW TO SPECIFY

The Noble Company shower pan drain should be used where necessary in drainage systems. Drain has a beveled flashing body/ adapter for subfloor installation. Clamping collar fastens to drain body with four stainless steel machine screws that thread into brass inserts. Drain body has a membrane flange and 2" Sch. 40 hub connection. Connection to DWV system shall be made with a solvent wet joint to PVC or ABS pipe. Drains are designed in accordance with ASME A112.18.2-2005 / CSA B125.2-05.

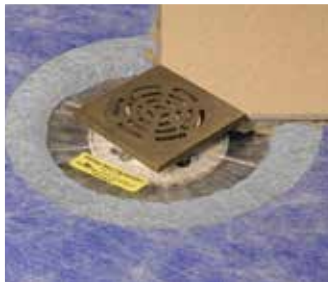
SHAPE / FINISH	PART #	STRAINER LOAD RATING	STRAINER FLOW CAPACITY*	STRAINER FREE AREA	STRAINER MATERIAL	HEAD ADAPTER MATERIAL	BASE ADAPTER MATERIAL
Square Oil Rubbed Bronze	3891	1,000 lbs.	16.4 GPM	7.6 in. ²	304 Stainless Steel	ABS	PVC
Square Oil Rubbed Bronze	3927	1,000 lbs.	16.4 GPM	7.6 in. ²	304 Stainless Steel	ABS	ABS
Round Oil Rubbed Bronze	3881	1,000 lbs.	9.7 GPM	4.5 in. ²	304 Stainless Steel	ABS	PVC
Square Matte Silver Stainless	3924	1,000 lbs.	16.4 GPM	7.6 in. ²	304 Stainless Steel	PVC	PVC
Square Matte Silver Stainless	3928	1,000 lbs.	16.4 GPM	7.6 in. ²	304 Stainless Steel	ABS	ABS
Round Matte Silver Stainless	3923	1,000 lbs.	9.7 GPM	4.5 in. ²	304 Stainless Steel	PVC	PVC
Square Brushed Golden Nickel	392	1,000 lbs.	16.4 GPM	7.6 in. ²	Nickel-Bronze	ABS	PVC
Square Brushed Golden Nickel	3921	1,000 lbs.	16.4 GPM	7.6 in. ²	Nickel-Bronze	ABS	ABS
Square Polished Stainless	3926	1,000 lbs.	16.4 GPM	7.6 in. ²	304 Stainless Steel	ABS	PVC
Round Polished Stainless	3925	1,000 lbs.	9.7 GPM	4.5 in. ²	304 Stainless Steel	ABS	PVC
Square Chrome Plated	3912	500 lbs.	12.26 GPM	5.67 in. ²	Chrome Plated Brass	BRASS	PVC
Square Chrome Plated	3913	500 lbs.	12.26 GPM	5.67 in. ²	Chrome Plated Brass	BRASS	ABS
Round Chrome Plated	391	500 lbs.	7.22 GPM	3.34 in. ²	Chrome Plated Brass	BRASS	PVC
Round Chrome Plated	3911	500 lbs.	7.22 GPM	3.34 in. ²	Chrome Plated Brass	BRASS	ABS
Round Polished Brass	3882	500 lbs.	7.22 GPM	3.34 in. ²	Chrome Plated Brass	BRASS	PVC

*Indicates flow rate of the strainer (not necessarily of the fixture) at 1/4" head.

INSTALLATION EXAMPLES

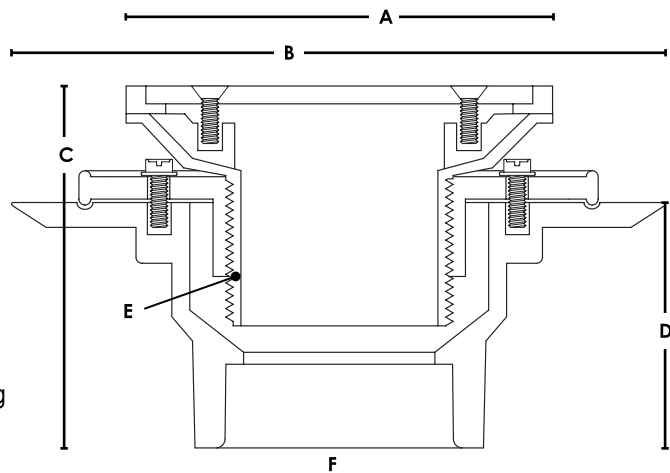


Installed in a full mortar bed method shower with Chloraloy® shower pan liner.



Installed in a thin-set method shower with NobleSeal® TS waterproofing membrane, NobleFlex Drain Flashing and Positive Weep Protector™.

Figure 1



SIZE/DIMENSIONS (refer to Figure 1)

PART #	TOP DIAMETER (A)	FLANGE DIAMETER (B)	ADJUSTABLE HEIGHT (C)	DRAIN BODY HEIGHT (D)	TOP HOUSING THREAD (E)	CONNECTION - BASE ADAPTER (F)
ALL OTHERS	4-1/2"	6-5/8"	3-5/16" – 5-15/16"	2-5/8"	2" MIPs	2" Sch. 40 Hub
3912, 3913 391, 3911, 3882**	4-1/8"	6-5/8"	3-3/8" – 5-1/2"	2-5/8"	2" MIPs	2" Sch. 40 Hub

**CAD details differ slightly from shown.

