

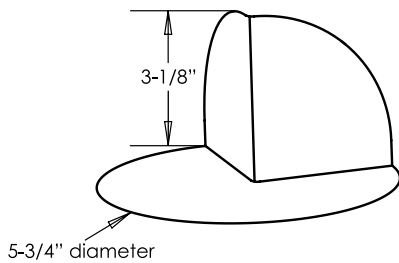
Preformed Corners

Installation Instructions

www.noblecompany.com

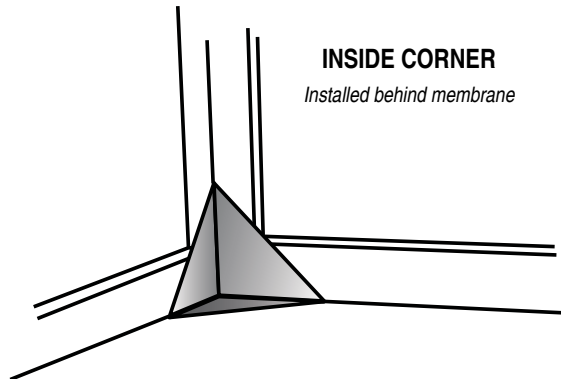
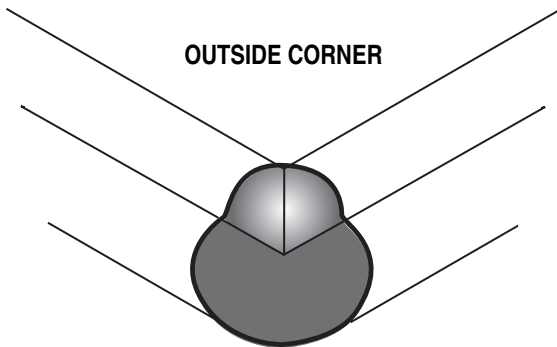
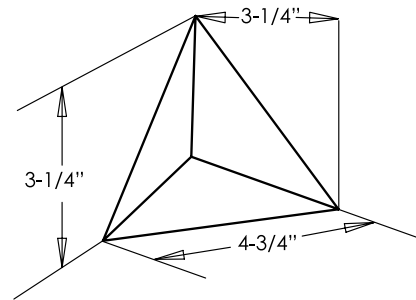
DAM/OUTSIDE CORNERS

1. Preformed corners can be installed behind or in front of the membrane. However, if preformed corners are used in a thin-bed installation, the corner must be installed under (or behind) the membrane.
2. Use NobleSealant 150 to adhere the corner and to seal it to the membrane. If using Chloraloy® CPE membrane, NobleWeld 100 can be used to adhere the corner to the membrane.



INSIDE CORNERS

1. Preformed inside corners are available and can be installed behind or in front of the membrane.
2. Seal corner to the membrane using NobleSealant 150.



SHOWER DAM CORNER

