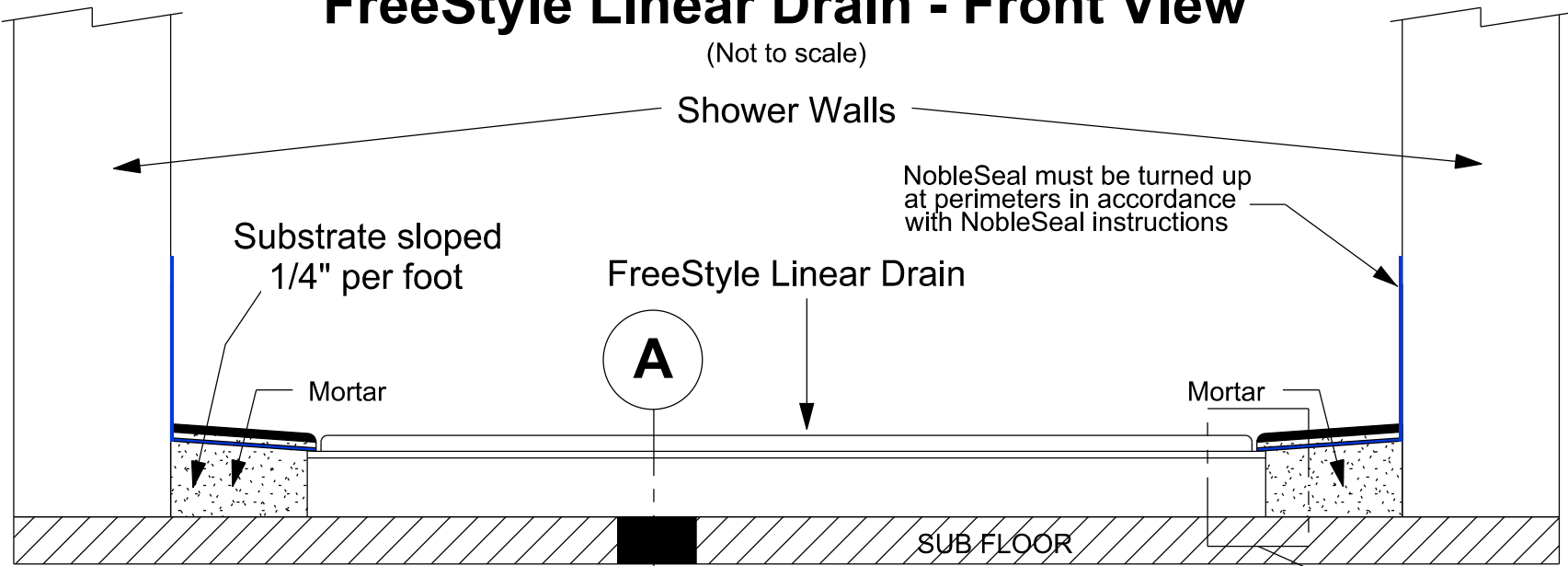


FreeStyle Linear Drain - Front View

(Not to scale)



NOTE: When the shower is wider than the drain, the spaces to the left and right of the drain should be sloped 1/4" per foot to the drain

* Substrate - ProBase, Mortar Bed (Must comply with industry guidelines)

STRAINER

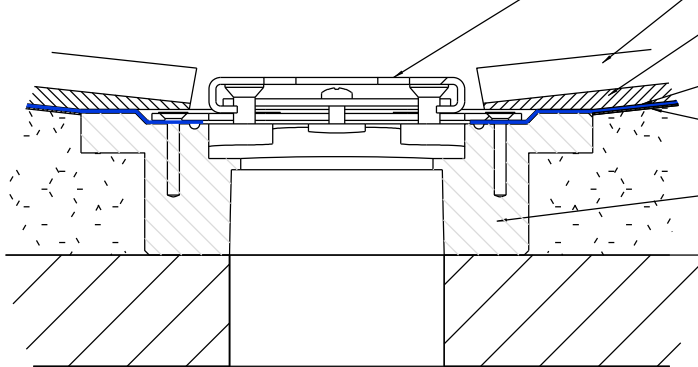
Tile

Latex Modified Thin-Set; ANSI A118.4

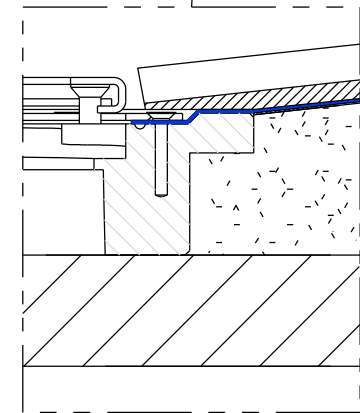
NobleSeal TS (ANSI A118.10 Waterproof Membrane)

NobleBond EXT or Latex Modified Thin-Set

FreeStyle Linear Drain



SECTION "A"



REFER TO SECTION "A" FOR TYPICAL NOTES



Noble Company
7300 Enterprise Drive, Spring Lake, MI 49456

Phone: 231-799-8000
Toll Free: 800-878-5788
Fax: 231-799-8850
Email: sales@noblecompany.com

Revision	Date	Description
1		
2		
3		
4		

Project: Product Installation Details
 Drawing Title: NobleDrainDraftingViewFreeStyleLinear Drain- Front View
 Drawn By: RJL
 Date: Nov, 27th 2012
 File: NobleDrainDraftingViewFreeStyleLinear Drain- Front View
 Sheet: