

Noble Niche

Installation Instructions

www.noblecompany.com

Noble Niche Installation Instructions

1. GENERAL INFORMATION

- 1.1 Noble Niches are made from high density, extruded polystyrene (XPS) and coated with an acrylic polymer finish. Noble Niches are waterproof and ready to tile. They are lightweight, durable, and are not a food source for fungus and mold. Noble Niches are 3 $\frac{7}{8}$ " deep and designed for 2" x 4" walls with 1/2" backer board.

2. TOOLS & MATERIALS

- 2.1 **TOOLS:** Saw (for cutting backer board).
- 2.2 **MATERIALS:** Backer board tape or appropriate waterproofing membrane and NobleSealant 250 or 100% silicone sealant.

3. PLANNING & INSTALLATION

- 3.1 R-value of Niche is approximately 2.5. In cold climates, this may not be sufficient for exterior walls.
- 3.2 Determine desired height placement of Niche.
- 3.3 Draw a level line on backer board between studs at the desired height location. Place Niche on level line, trace outside edge accurately.
- 3.4 Cut and remove panel.
- 3.5 Use NobleSealant 250 or 100% silicone sealant to adhere Niche to back wall.
- 3.6 Seal joints between Niche and backer board using NobleSealant 250 or 100% silicone sealant. The NobleSealant 250 or 100% silicone sealant should not be smeared over the face of the Niche or backer board.
- 3.7 Tape joints with backer board tape or bond appropriate waterproofing membrane to walls and overlap joints.
- 3.8 Use modified thin-set mortar to secure adjustable self/shelves (if provided) to inside of Niche at preferred height. Allow to cure.
- 3.9 Install tile using modified thin-set mortar according to TCNA guidelines.

Noble Corner Niche Installation Instructions (Floor Mounted)

1. GENERAL INFORMATION

- 1.1 Noble Corner Niches are made from high density, extruded polystyrene (XPS) and coated with an acrylic polymer finish. Noble Corner Niches are waterproof and ready to tile. They are lightweight, durable, and are not a food source for fungus and mold.

2. TOOLS & MATERIALS

- 2.1 **TOOLS:** 1/4" x 1/4" square-notched trowel.
- 2.2 **MATERIALS:** Modified thin-set mortar and NobleSealant 250 or 100% silicone sealant.

3. PLANNING & INSTALLATION

- 3.1 Shower should be waterproofed in accordance with Tile Council of North America (TCNA) guidelines and all applicable codes prior to installation of Corner Niche.
- 3.2 Ensure that the walls where the Corner Niche is to be installed are square and plumb.
- 3.3 Apply a modified thin-set mortar to the walls behind and to the floor under the Corner Niche. Use a 1/4" x 1/4" square-notched trowel.
- 3.4 Slide the Corner Niche into the thin-set mortar. Flatten the ridges with firm pressure.
- 3.5 Ensure that there is complete coverage of the thin-set mortar.
- 3.6 Repeat steps 3.3 - 3.5 for the top section of the Corner Niche. Ensure that thin-set mortar is applied between the top and bottom sections.
- 3.7 Once the Corner Niche is installed, use NobleSealant 250 or 100% silicone sealant to seal all joints where the Corner Niche meets the walls. Do not seal where the Corner Niche meets the floor.
- 3.8 Install tile using modified thin-set mortar according to TCNA guidelines.

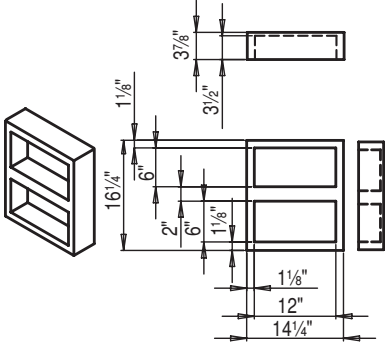
NOTE: For any situation not specifically covered in these instructions, contact Noble Company's Technical Department at 1(800) 878-5788 before proceeding. Follow TCNA Guidelines.



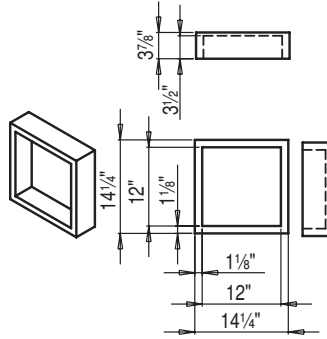
VIEW MORE PRODUCT
DETAILS, VIDEOS,
AND DIAGRAMS ONLINE



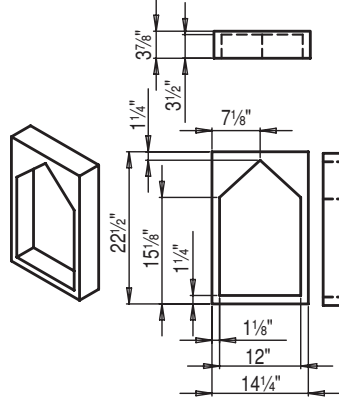
#278 Spice Rack



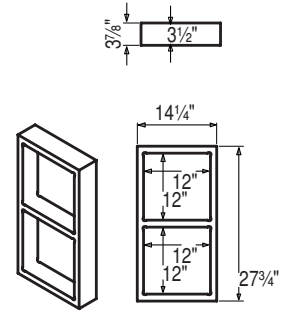
#301 Square



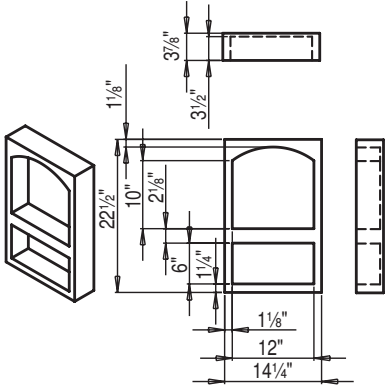
#302 Peaked



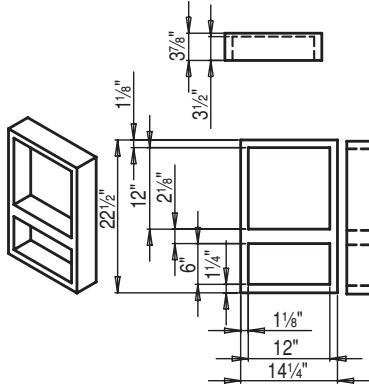
#2885 Double Square



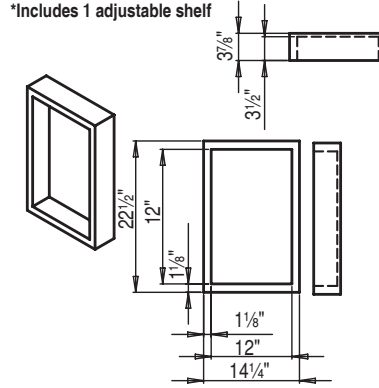
#303 Wide Arch Combo



#304 Wide Combo



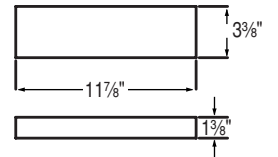
#314 Rectangular



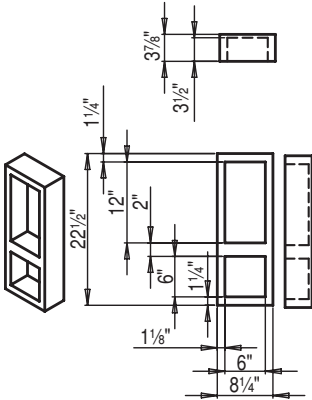
*Includes 1 adjustable shelf

Adjustable Shelf*

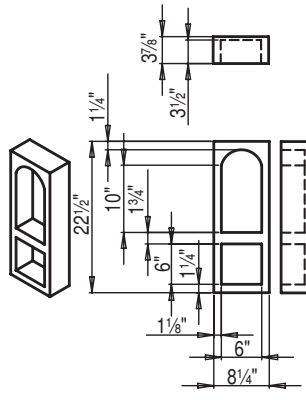
*Included with 314, 2942, and 2943 Niches



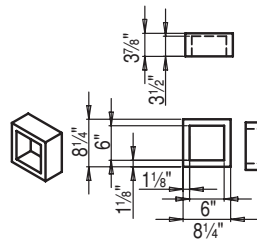
#305 Narrow Combo



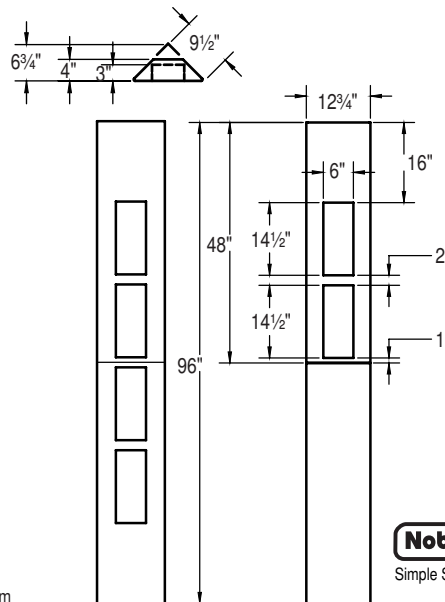
#306 Narrow Arch Combo



#308 Soap

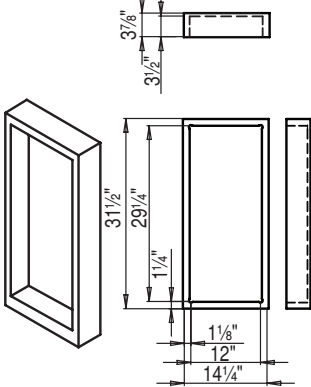


#2781 4-Shelf Corner & #2782 2-Shelf Corner



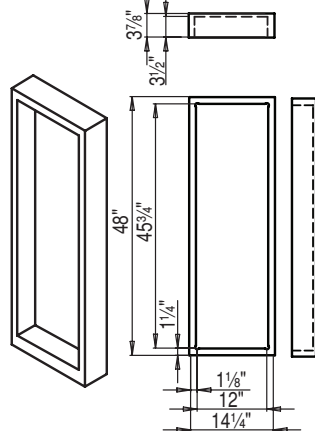
#2942 31 1/2" Tall

*Includes 2 adjustable shelves



#2943 4' Tall

*Includes 3 adjustable shelves



NOTE: Actual dimensions may vary +/- 1/8".