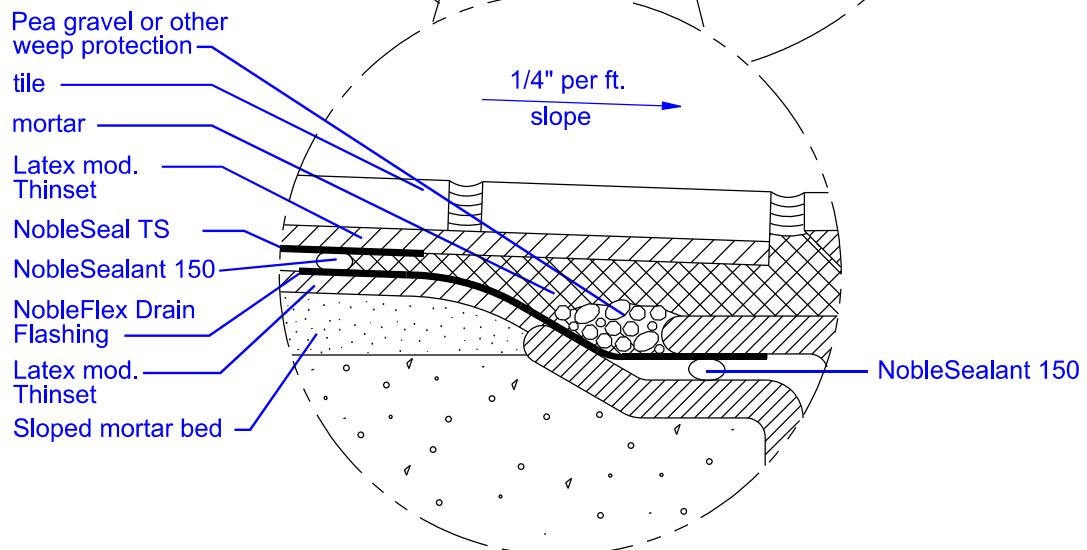
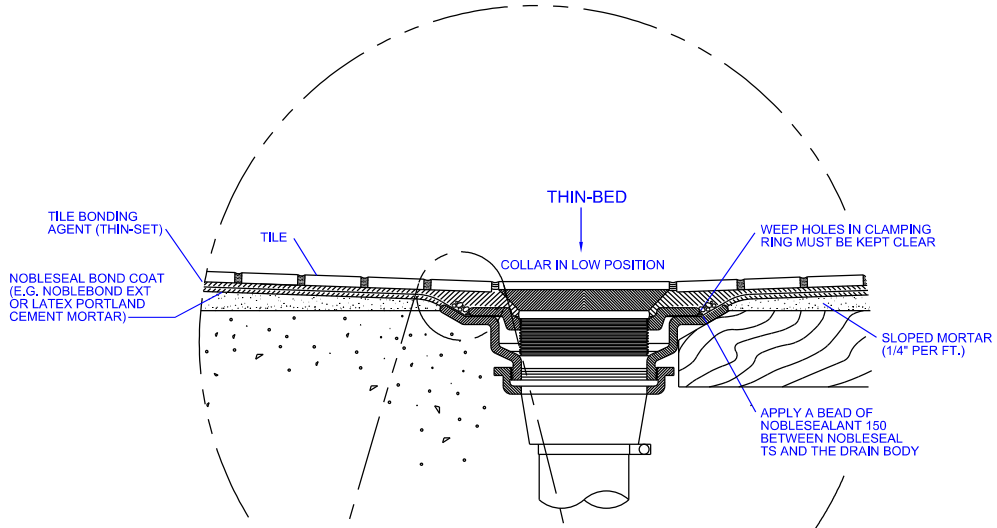


NobleFlex, NobleSeal TS Waterproofing Detail

(NOT TO SCALE)



Not to Scale

*WATER RESISTANT BACKER BOARD RECOMMENDED BY MANUFACTURER FOR APPLICATION. INSTALL TO MANUFACTURER'S INSTRUCTIONS

Noble Company
 7300 Enterprise Drive, Spring Lake, MI 49456
 Phone: 231-799-8000
 Toll Free: 800-878-5788
 Fax: 231-799-8850
 Email: sales@noblecompany.com

Revision Date:				
	△	△	△	△

Project: Product installation Details

Drawing Title: NobleFlex, NobleSeal TS Waterproofing Detail

Drawn By: RJL

Date: Mar. 4th 2014

File Name: NobleFlex, NobleSeal TS Waterproofing Detail

Sheet: