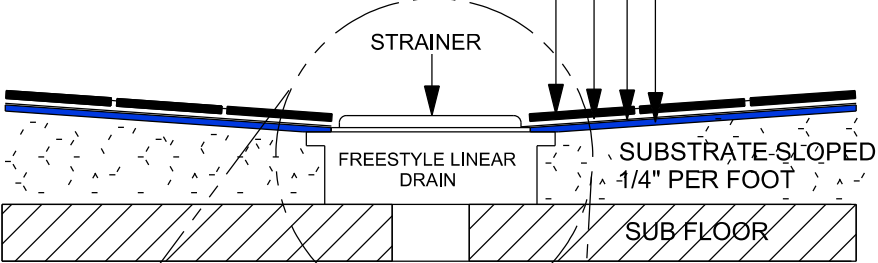


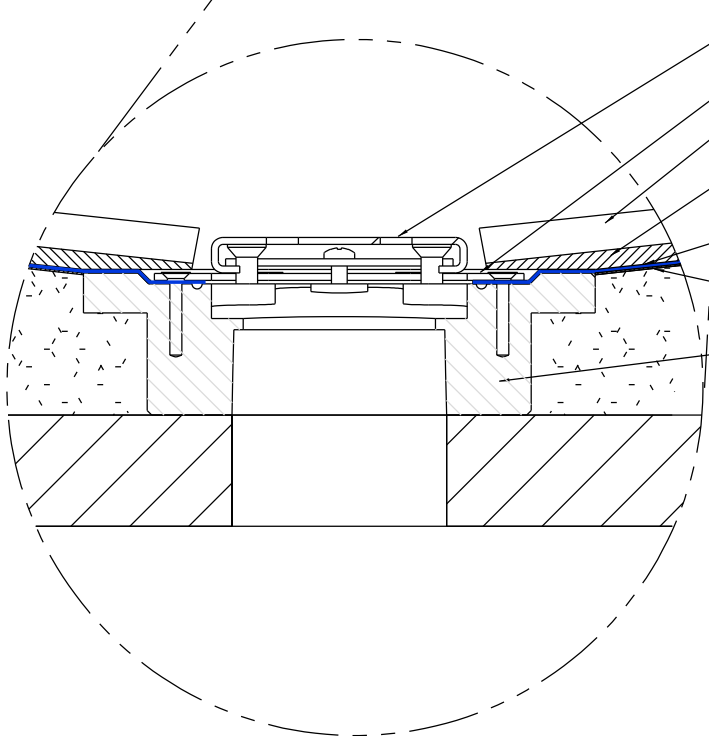
FREESTYLE LINEAR DRAIN™ MID-FLOOR

(NOT TO SCALE)

NOBLEBOND EXT OR
LATEX MODIFIED THIN-SET; ANSI A118.4
NOBLESEAL® TS (ANSI A118.10
WATERPROOF MEMBRANE)
LATEX MODIFIED THIN-SET; ANSI A118.4
TILE



* SUBSTRATE
(MUST COMPLY WITH INDUSTRY GUIDELINES)



STRAINER
CLAMPING COLLAR
TILE
LATEX MODIFIED THIN-SET; ANSI A118.4
NOBLESEAL TS (ANSI A118.10 WATERPROOF MEMBRANE)
NOBLEBOND EXT OR LATEX MODIFIED THIN-SET
FREESTYLE LINEAR DRAIN



Noble Company
7300 Enterprise Drive, Spring Lake, MI 49456
Phone: 231-799-8000
Toll Free: 800-878-5788
Fax: 231-799-8850
Email: sales@noblecompany.com

Revision	Date

Project: Product Installation Details
Drawing Title: NobleDrainDraftingViewFreestyleLinear DrainMidFloor_Detail
Drawn By: R.J.L.
Date: Feb, 28th 2013
File Name: \\server\projects\2013\FreestyleLinear DrainMidFloor_Detail.dwg
Sheet: