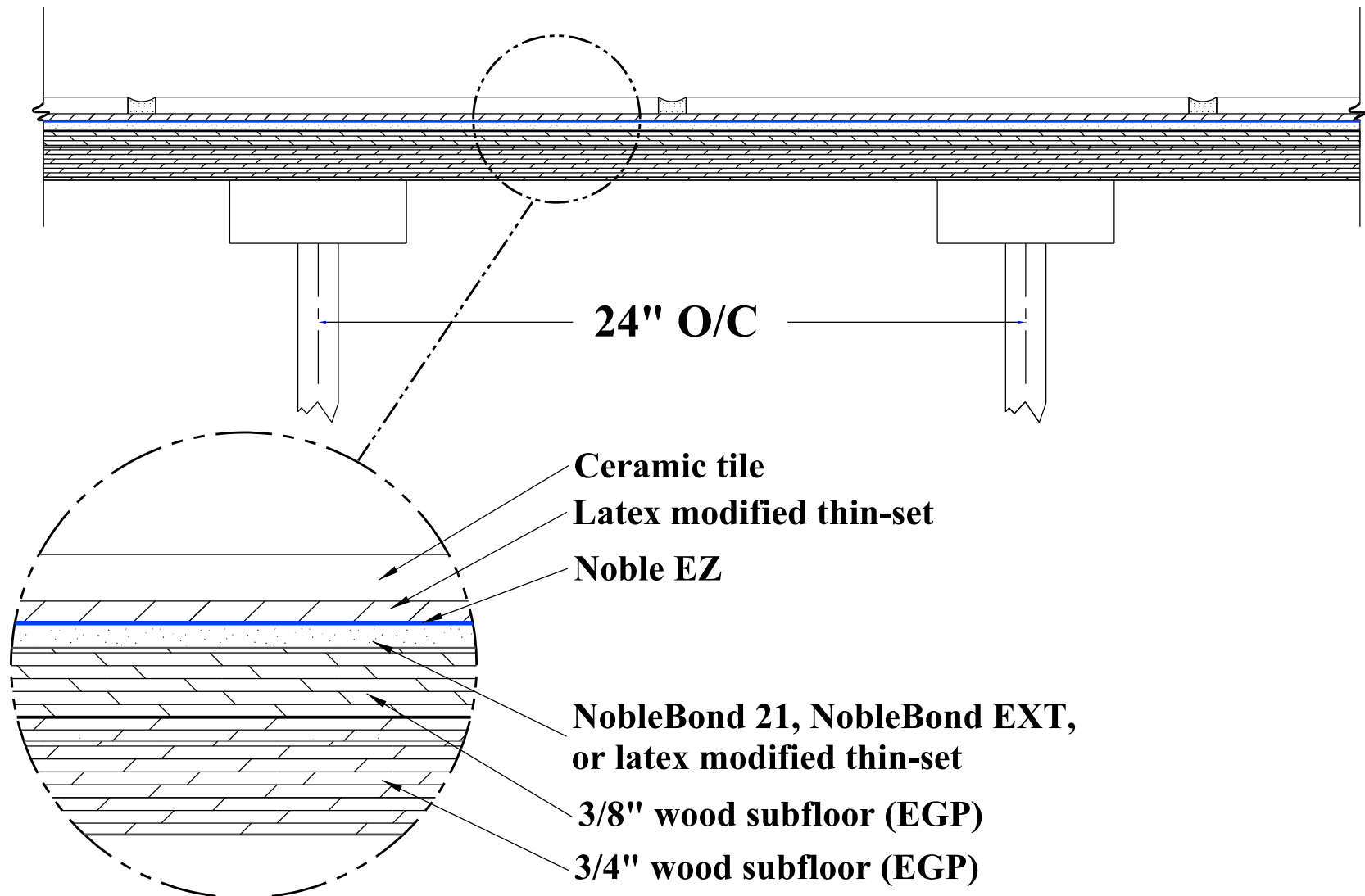


# Noble EZ on wood



Not to Scale

**Note:**  
 1/8" gap between sheets  
 Plywood should be installed in accordance with  
 TCNA recommendations and industry standards.



**Noble Company**  
 7300 Enterprise Drive, Spring Lake, MI 49456  
 Phone: 231-799-8000  
 Toll Free: 800-878-5788  
 Fax: 231-799-8850  
 Email: sales@noblecompany.com

Revision Date:	By:	Description:

**Project:** Product Installation Details  
**Drawing Title:** Noble EZ on wood  
**Drawn By:** RJL  
**Date:** OCT 8th 2013  
**File Name:** noble seal ez on wood  
**Sheet:**