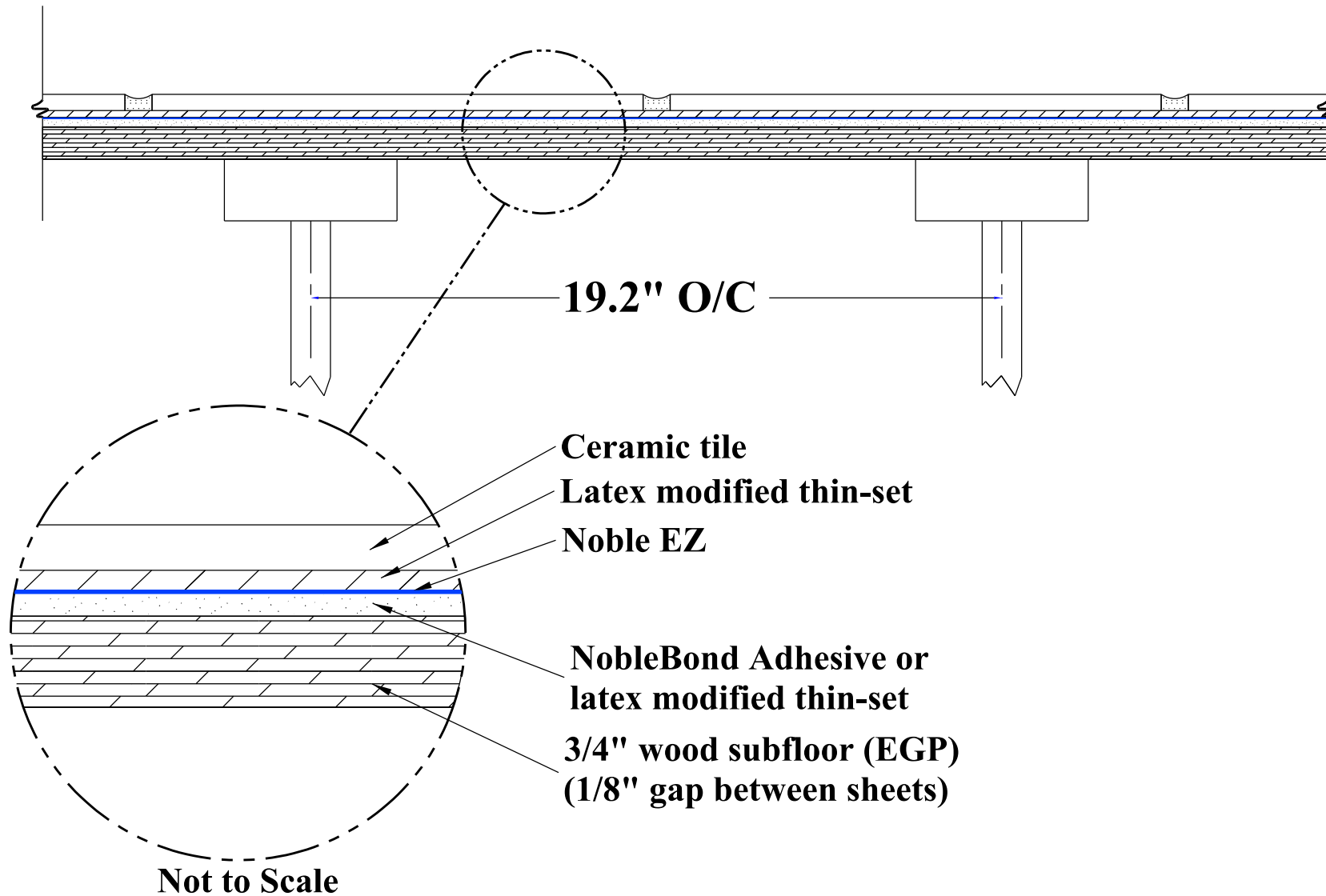


# Noble EZ



**Noble Company**  
 7300 Enterprise Drive, Spring Lake, MI 49456  
 Phone: 231-799-8000  
 Toll Free: 800-878-5788  
 Fax: 231-799-8850  
 Email: sales@noblecompany.com

Revision Date:

Project:  
**Product Installation Details**

Drawing Title:  
**Noble EZ**

Drawn By: R/JL

Date: July 30th 2013

File Name: noble seal ez

Sheet: