

# ProBase® II Single-Slope

Shower Base Kit

www.noblecompany.com



*Drain sold separately*

Patent Pending

*KIT INCLUDES: Pre-Sloped Base, Off-set Shims, ValueSeal® Waterproofing Sheet Membrane, Solid Curbs, Thin-Line™ Installation Accessories, and NobleSealant. ALSO AVAILABLE ALA-CARTE*

## Single-Slope Shower Base Kit

*Quick and easy installation with modified thin-set mortar or NobleBond EXT to provide the code-required slope to drain. Base is designed to provide a smooth transition to Noble Company's FreeStyle Linear Drain™ or Solutions Linear Drain. (both drains sold separately).*

### BENEFITS

- Offered in:
  - Honeycomb/Foam composite
  - Foam
  - Honeycomb/Foam composite - Pre-Waterproofed
  - Foam - Pre-Waterproofed
- Single-Slope to drain
- Honeycomb/Foam composite offers superior impact resistance
- Included shims offer off-set or flush-to-wall drain configuration
- Ideal integration with FreeStyle Linear Drain and Solutions Linear Drain
- Base is easy to cut to accommodate various shower installations
- Install with NobleBond EXT or modified thin-set mortar
- Pre-Waterproofed version incorporates a flap that overlays the top surface of the drain to eliminate seams in the waterproofing
- Bases include a 4½" deep front-shim to space the drain away from the wall
- Bases include drain side-shims which can be used to center a drain that is not as wide as the base
- Custom sizes available upon request



Simple Solutions... Proven Performance



VIEW BALL DROP IMPACT  
COMPARISON VIDEO  
FEATURING PRO-BASE II



# ProBase® II Single-Slope

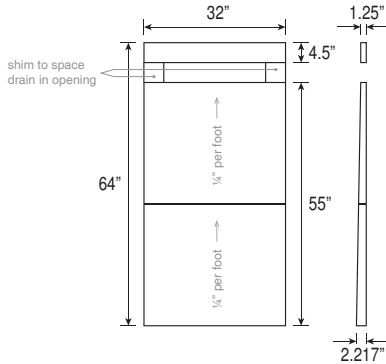
## Shower Base Kit

VIEW MORE PRODUCT  
DETAILS, VIDEOS, AND  
DIAGRAMS ONLINE

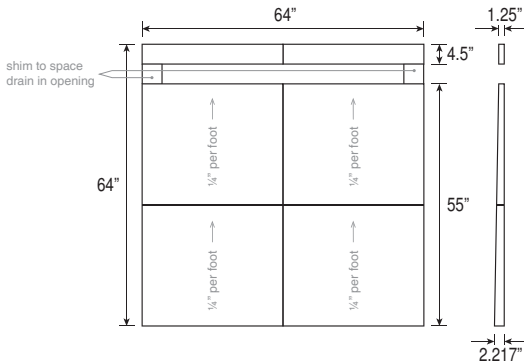


### STANDARD SIZES AND THICKNESS *Thickness at drain hole in base is 1 1/4"*

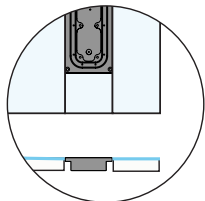
#### 32" x 60" END DRAIN *(for 24" and 32" linear drains)*



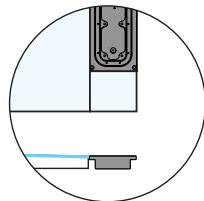
#### 64" x 64" END DRAIN *(for 32" through 60" linear drains)*



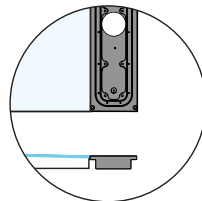
### BASE AND SHIM CONFIGURATIONS



Off-Set Wall



Flush-to-Wall



Flush-to-Wall;  
No Shims

### BASE MATERIAL OPTIONS



#### Honeycomb

Compressive Strength:  
235 PSI



#### Foam

Compressive Strength:  
46 PSI



#### Pre-Waterproofed Honeycomb

Compressive Strength:  
235 PSI



#### Pre-Waterproofed Foam

Compressive Strength:  
46 PSI

### INCLUDED IN KIT



#### Sloped Base

Patent Pending

The multi-sloped design seamlessly integrates with Noble Company's FreeStyle Linear Drain™ or Solutions Linear Drain.



#### ValueSeal® Waterproofing Sheet Membrane

Ultra-thin waterproofing membrane designed for bonded applications.



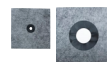
#### Noble Solid Curbs

Durable, preformed curbs are easy to install.



#### Noble Thin-Line™ Inside and Outside Corners

A fast and easy way to protect against leaks in corners.



#### Noble Thin-Line Pipe Collar and Mixing Valve Collar

Convenient, easy-to-use accessories to seal around pipes and valves.



#### NobleSealant

Polymeric sealant for seaming waterproofing sheet membrane to drain body.

### DRAIN *sold separately*



#### FreeStyle Linear Drain™ or Solutions Linear Drain

Proprietary drains that are designed for use with PBII Single-Slope. Available in multiple strainer finishes.



Simple Solutions... Proven Performance



7300 Enterprise Drive, Spring Lake, MI 49456 · (800) 878-5788  
Fax: (231) 799-8850 · www.noblecompany.com  
® Registered Trademark of Noble Company  
™ Trademark of Noble Company © 2021 Noble Company

File #PB032021-04 | 03/21 | Supersedes #PB092019-07