

ProBase® II

Single-Slope Shower Base and Kit

www.noblecompany.com



32" x 60"
Kit Includes



64" x 64"
Kit Includes



Patents Pending

Single-Slope Shower Base

Installs quickly and easily with modified thin-set to provide the code-required slope to drain in conjunction with Noble Company's FreeStyle Linear Drain™. 32" x 60" kit includes base with off-set shims, ValueSea® waterproofing sheet membrane, FreeStyle Linear Drain, Solid Curbs, Thin-Line Inside Corners, Thin-Line Outside Corners, Thin-Line Mixing Valve Collar, Thin-Line Pipe Collar, and NobleSealant.

BENEFITS

- Single-slope to drain
- Superior impact resistance
- Sloped honeycomb and foam composite base
- Noble waterproofing sheet membrane bonds directly to base
- Off-set or flush-to-wall configuration
- Ideal integration with FreeStyle Linear Drain™
- Shims included to accommodate off-set drains
- Base is easy to cut to accommodate various shower installations
- Install with NobleBond EXT or modified thin-set
- No substrate modification required
- Custom sizes available with minimum quantity order
- **32" x 60" Base and Kit:** for shower sizes of 30" x 30" up to 32" x 60" using 24" up to 32" FreeStyle Linear Drains
- **64" x 64" Base and Kit:** For shower sizes 36" x 36" up to 64" x 64". Base is used with Noble's Accessory kit which includes from 36" to 60" FreeStyle Linear Drain and all remaining shower waterproofing items.



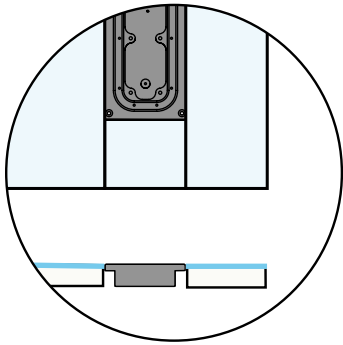
VIEW MORE PRODUCT
DETAILS, VIDEOS AND
DIAGRAMS ONLINE



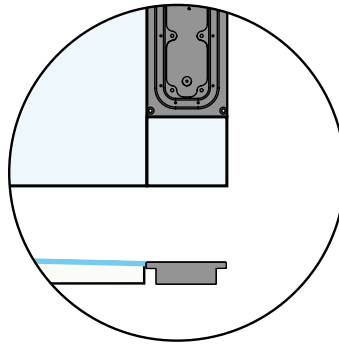
ProBase II

Single-Slope Shower Kit and Base

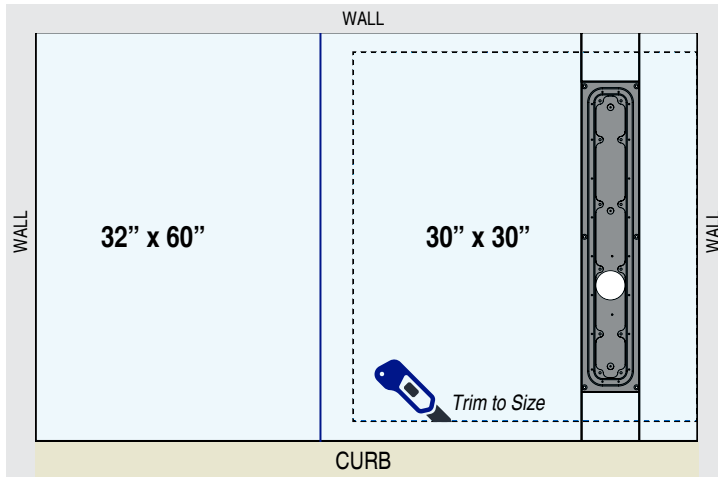
VIEW MORE PRODUCT
DETAILS, VIDEOS, AND
DIAGRAMS ONLINE



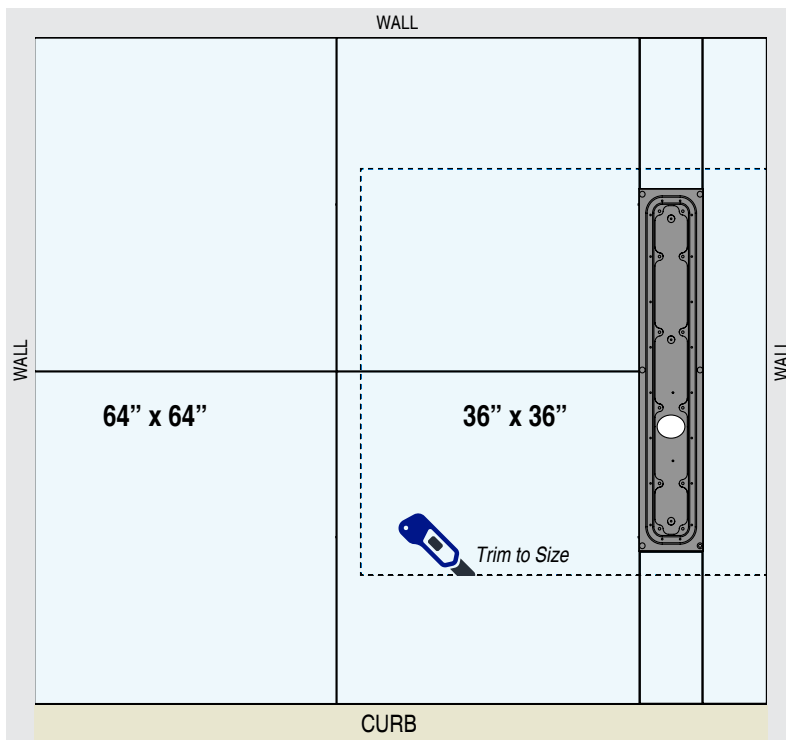
**Offset Wall
Configuration**



**Flush-to-Wall
Configuration**



32" x 60" Kit
for 24" and 32" FreeStyle Linear Drains



64" x 64" Base with Accessory Kit
for 36" up to 60" FreeStyle Linear Drains

