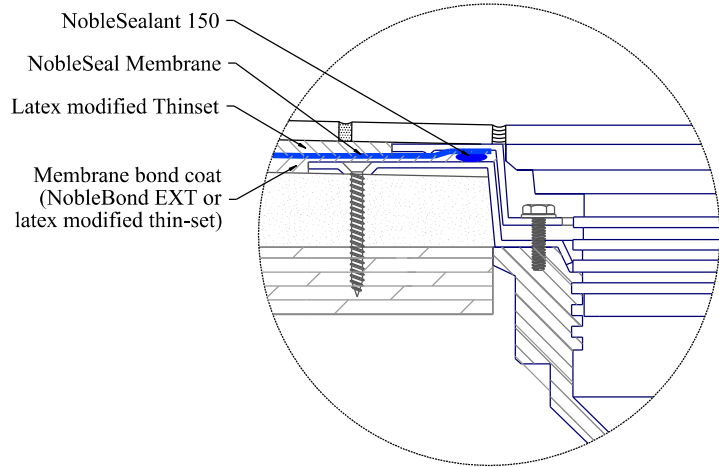
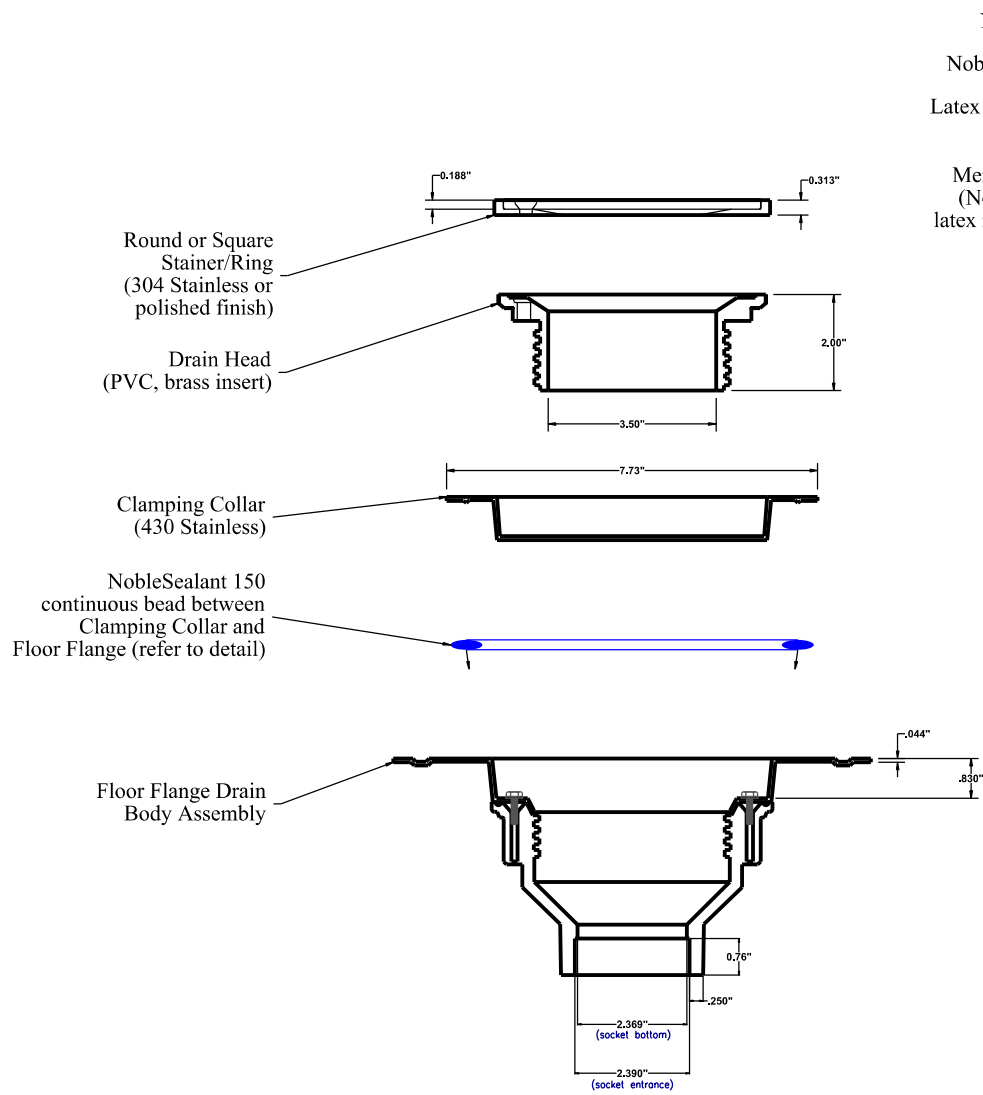




**Noble Company**  
 7300 Enterprise Drive, Spring Lake, MI 49456  
 Phone: 231-799-8000  
 Toll Free: 800-878-5788  
 Fax: 231-799-8850  
 Email: sales@noblecompany.com

Revision Date:	

Project: **Product Installation Details**  
 Drawing Title: **NobleSeal TS - Thin Bed Drain Detail**  
 Drawn By: R.J.L.  
 Date: Jan 3rd 2014  
 File Name: nobleseal TS - Thin Bed Drain Detail  
 Sheet:



**Typical Install Detail**  
**Not to Scale**