



- Plumbing code approved
- Available in square or round strainers
- Multiple finishes available
- Tile top strainer available*
- Ideal for use in barrier-free showers
- Up to 16 GPM on select strainers
- Available in PVC and ABS construction (see exceptions)*
- Mechanical attachment provides waterproofing security
- Weep holes on both sides of collar maximize drainage
- Brass inserts prevent damage to collar and tailpiece
- Ideal for wet areas
- Waste pipe fastens directly to drain

Use Noble's Clamping-Ring Drain with NoblesSeal® TS for the most dependable waterproofing or use with Chloraloy® for a traditional full mortar bed method installation.



NEW! Tile-Top Strainer

SEE REVERSE FOR DIMENSIONS AND FINISHES

AVAILABLE FINISHES:

- Oil Rubbed Bronze
- Matte Silver Stainless
- Brushed Golden Nickel (square only)
- Polished Stainless
- Chrome Plated
- Square Tile Top*

TO BE SPECIFIED:

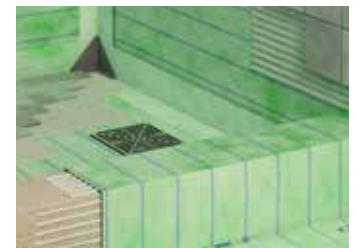
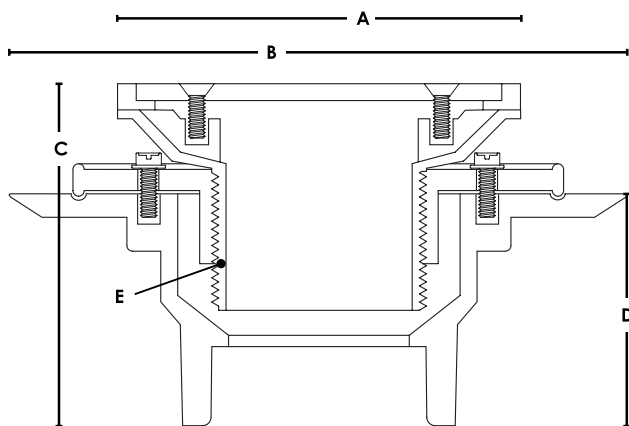
- PVC*
- ABS
- ROUND
- SQUARE
- Tile Top Strainer (Install your tile)*

*Round Oil Rubbed Bronze available in **PVC ONLY**

*Round Matte Silver available in **PVC ONLY**

*Polished Stainless available in **PVC ONLY**

*Tile Top Strainer available in **PVC ONLY**



STRAINER:	SHAPE	LOAD RATING	FLOW CAPACITY*	STRAINER MATERIAL	DRAIN BODY
Oil Rubbed Bronze	Square	500 lbs.	10.6 GPM	304 Stainless Steel	PVC
Oil Rubbed Bronze	Square	500 lbs.	16.4 GPM	304 Stainless Steel	ABS
Oil Rubbed Bronze	Round	500 lbs.	8.5 GPM	304 Stainless Steel	PVC
Matte Silver Stainless	Square	1,000 lbs.	16.4 GPM	304 Stainless Steel	PVC / ABS
Matte Silver Stainless	Round	1,000 lbs.	9.7 GPM	304 Stainless Steel	PVC
Brushed Golden Nickel	Square	1,000 lbs.	16.4 GPM	Nickel-Bronze	PVC / ABS
Polished Stainless	Square	1,000 lbs.	16.4 GPM	304 Stainless Steel	PVC
Polished Stainless	Round	1,000 lbs.	9.7 GPM	304 Stainless Steel	PVC
Chrome Plated	Square	500 lbs.	10.6 GPM	Chrome Plated Brass	PVC / ABS
Chrome Plated	Round	500 lbs.	7.22 GPM	Chrome Plated Brass	PVC / ABS
Tile Top 4"	Square	500 lbs.	8.5 GPM	Tile & PVC	PVC
Tile Top 5"	Square	500 lbs.	8.5 GPM	Tile & PVC	PVC

*Indicates flow rate of the strainer (not necessarily of the fixture) at 1/4" head.



Polished Stainless
#3925 PVC



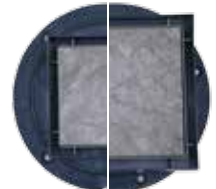
Polished Stainless
#3926 PVC



Matte Silver
#3923 PVC



Matte Silver
#3924 PVC / #3928 ABS



Tile Top PVC
4" #3929 / 5" #3930



Oil Rubbed Bronze
#3881 PVC



Oil Rubbed Bronze
#3891 PVC / #3927 ABS



Chrome Plated
#3912 PVC / #3913 ABS



Chrome Plated
#391 PVC / 3911 ABS



Brushed Golden Nickel
#392 PVC / #3921 ABS

SIZING: <i>See diagram on reverse.</i>	(A) TOP	(B) FLANGE	(C) ADJUSTABLE	(D) DRAIN BODY	(G) STRAINER HEIGHT	
	DIAMETER	DIAMETER	HEIGHT	HEIGHT	MIN	MAX
CHROME PLATED	4.125"	6.625"	3.375" – 5.5"	2.625"	0.75"	2.875"
TILE TOP 4"	4" Square	6.625"	1"	2.65"	1.313"	2.0"
TILE TOP 5"	5" Square	6.625"	1"	2.65"	1.313"	2.0"
ALL OTHERS	4.5"	6.625"	3.938" – 5.938"	2.625"	1.313"	3.313"

Note: (E) 2" MIPS (F) 2" Sch. 40 Hub | **CAD details differ slightly from shown.