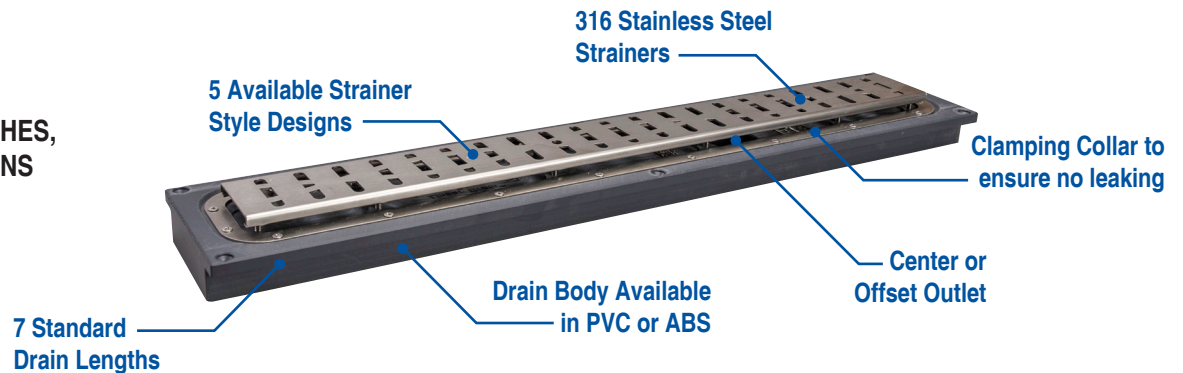


FreeStyle Linear Drain™

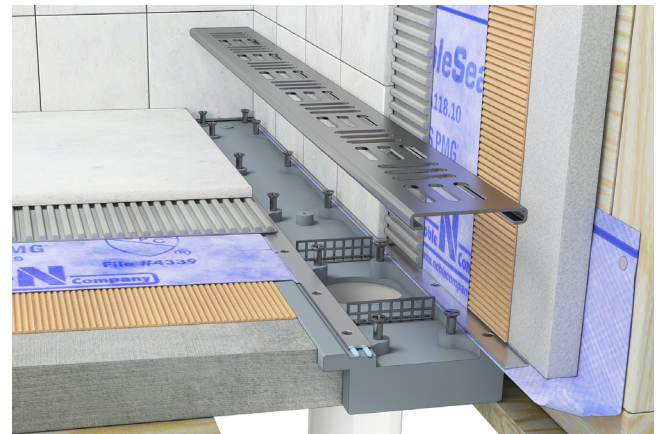
U.S. Patent No. 8,474,068 | Canadian Patent No. 2,690,794

**DIMENSIONS, FINISHES,
AND SPECIFICATIONS
ON PAGE 2**



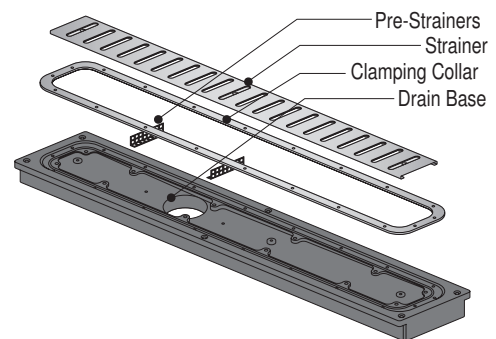
FEATURES & BENEFITS

- Plumbing Code Approved (Listed)
- Seven drain lengths
- Five strainer designs - 316 stainless steel
- ADA-compliant strainer options
- Ideal for use in barrier-free showers
- High capacity 36 GPM drainage
- Seamless PVC and ABS construction
- One-piece base construction with low profile
- Secure watertight connection
- Flat bottom with internal slope to drain – no shimming
- No substrate modification required
- Center or offset outlet
- Install at thresholds or exits for overflow control
- Removable internal pre-strainer
- Suitable for outdoor use
- Clamping Collar ensures watertight connection
- Waste pipe fastens directly to drain
- Customizable drains for large projects (*minimum 50 units*)
- Link multiple strainers to span longer areas
- Full Mortar Bed Adapter Kit available



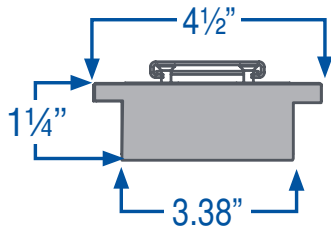
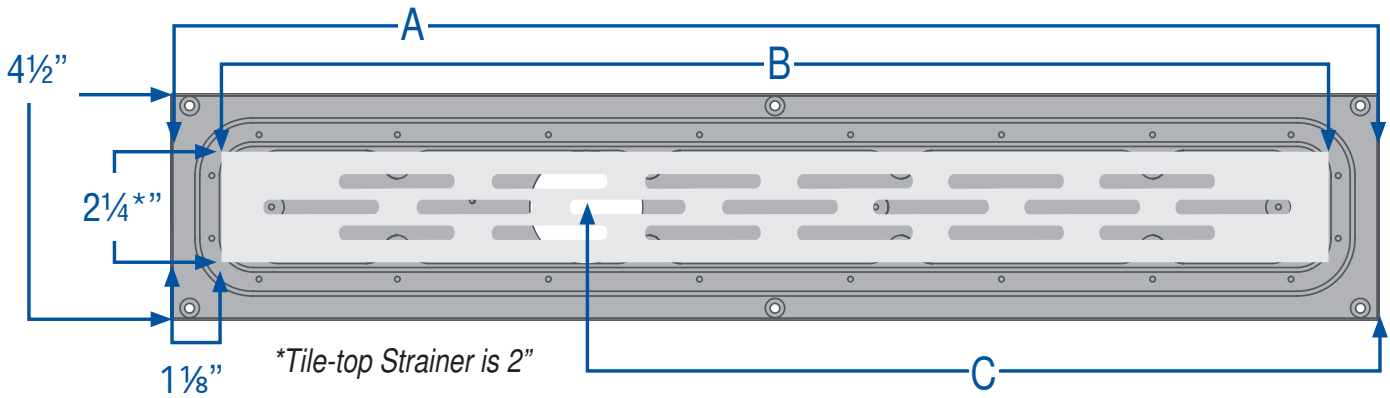
Thin Bed Installations: Use Freestyle Linear Drains with NobleSeal® TS or AquaSeal™ sheet membranes.

Full Mortar Bed Installations: Use Freestyle Linear Drains with Chloraloy® sheet membranes and the Full Mortar Bed Adapter Kit.



Approved by the State of Massachusetts

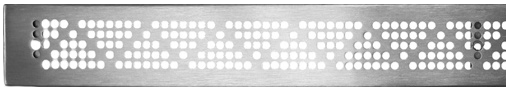




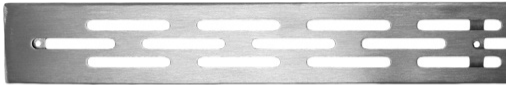
A. Drain Length	24"	32"	36"	40"	48"	54"	60"
B. Strainer Length*	21 ³ / ₄ "	29 ³ / ₄ "	33 ³ / ₄ "	37 ³ / ₄ "	45 ³ / ₄ "	51 ³ / ₄ "	57 ³ / ₄ "
C. Offset Hole Location	15 ³ / ₄ "	19 ¹ / ₂ "	21 ³ / ₄ "	23 ³ / ₄ "	27 ³ / ₄ "	30 ³ / ₄ "	33 ³ / ₄ "
C. Center Hole Location	12"	16"	18"	20"	24"	27"	30"

*Deduct ³/₈" for Tile-top Strainers Length

STRAINERS



Style: Pyramid¹ Finish: Stainless Steel



Style: Slotted¹ Finish: Stainless Steel



Style: Wave Finish: Stainless Steel



Style: Cross-Hatch Finish: Stainless Steel



Style: Tile-top¹ Finish: Insert your own tile

*Strainer height is adjustable to match tile height.

¹ Complies with ADA guidelines for handicap accessible showers

TO BE SPECIFIED:

Drain Size:

- 24" 32" 36" 40"
 48" 54" 60"

Drain Outlet Location:

- Center Offset

Drain Base Material:

- PVC ABS

Strainer Style:

- Pyramid¹ Slotted¹ Wave
 Cross-Hatch Tile-Top¹

Accessories:

- Full Mortar Bed Adapter Kit
 Strainer Connector Kit