

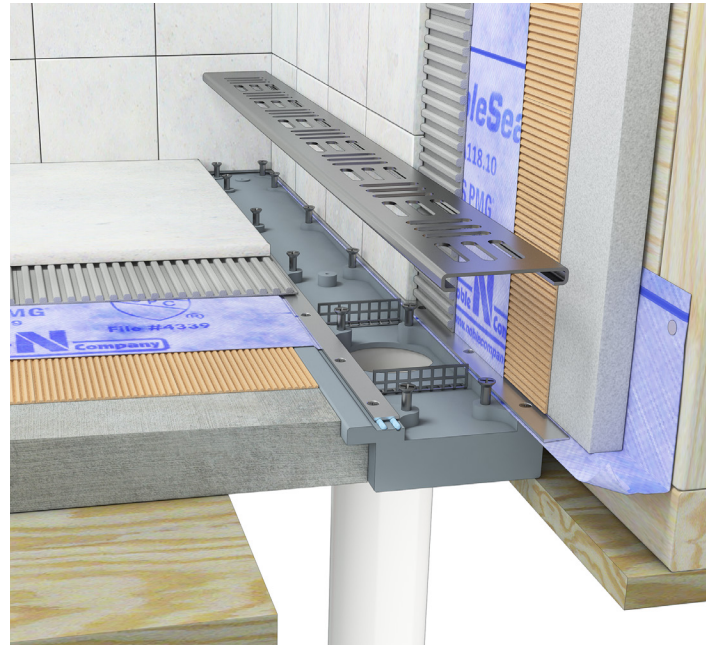
- Plumbing Code Approved
- Seven drain lengths
- Five 316 stainless steel strainer designs
- ADA-compliant strainer options
- Ideal for use in barrier-free showers
- High capacity 36 GPM drainage
- Available in seamless PVC and ABS construction
- One-piece base construction with low profile
- Most secure watertight connection
- Flat bottom with internal slope to drain – no shimming or leveling needed
- No substrate modification required
- Center or offset outlet designed for standard floor joists
- Install at thresholds or exits for overflow control
- Removable internal pre-strainer for ease of maintenance
- Drain materials are suitable for outdoor use
- Clamping collar ensures watertight connection
- Waste pipe fastens directly to drain
- Customizable drains for large projects\*
- Link multiple drains to span longer areas
- Full Mortar Bed Adapter Kit available

Use FreeStyle Linear Drains with NoblesSeal® TS for the most dependable waterproofing or use with Chloraloy® and the Full Mortar Bed Kit for a traditional full mortar bed method installation.

## FREESTYLE LINEAR DRAINS:

LENGTH	OUTLET LOCATION		BASE MATERIAL	
<input type="checkbox"/> 24" Drain	<input type="checkbox"/> Center	<input type="checkbox"/> Offset	<input type="checkbox"/> PVC	<input type="checkbox"/> ABS
<input type="checkbox"/> 32" Drain	<input type="checkbox"/> Center	<input type="checkbox"/> Offset	<input type="checkbox"/> PVC	<input type="checkbox"/> ABS
<input type="checkbox"/> 36" Drain	<input type="checkbox"/> Center	<input type="checkbox"/> Offset	<input type="checkbox"/> PVC	<input type="checkbox"/> ABS
<input type="checkbox"/> 40" Drain	<input type="checkbox"/> Center	<input type="checkbox"/> Offset	<input type="checkbox"/> PVC	<input type="checkbox"/> ABS
<input type="checkbox"/> 48" Drain	<input type="checkbox"/> Center	<input type="checkbox"/> Offset	<input type="checkbox"/> PVC	<input type="checkbox"/> ABS
<input type="checkbox"/> 54" Drain	<input type="checkbox"/> Center	<input type="checkbox"/> Offset	<input type="checkbox"/> PVC	<input type="checkbox"/> ABS
<input type="checkbox"/> 60" Drain	<input type="checkbox"/> Center	<input type="checkbox"/> Offset	<input type="checkbox"/> PVC	<input type="checkbox"/> ABS

Custom sizes available with minimum 50 units



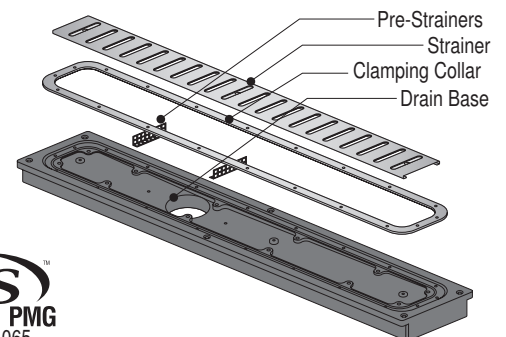
SEE REVERSE FOR DIMENSIONS AND FINISHES

### TO BE SPECIFIED:

- Cross Hatch Strainer
- Slotted Strainer<sup>1</sup>
- Wave Strainer
- Tile Top Strainer (Install your tile)<sup>1</sup>
- Pyramid Strainer<sup>1</sup>

<sup>1</sup>Complies with ADA guidelines for handicap accessible showers.

- Full Mortar Bed Adapter Kit
- Strainer Connector Kit

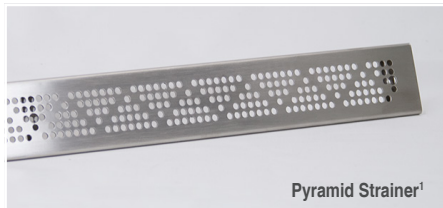
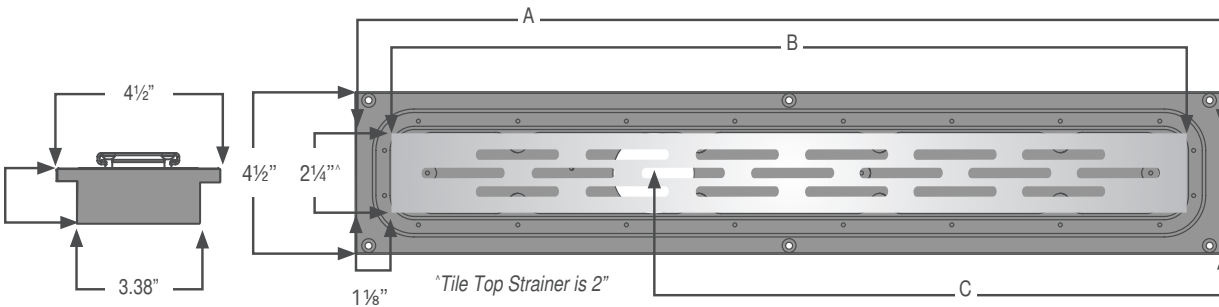


Approved by the State of Massachusetts



		24" Drain	32" Drain	36" Drain	40" Drain	18" Drain	54" Drain	60" Drain
<b>Base Length</b>	<b>A</b>	24"	32"	36"	40"	48"	54"	60"
<b>Strainer Length*</b>	<b>B</b>	21-3/4"	29-3/4"	33-3/4"	37-3/4"	45-3/4"	51-3/4"	57-3/4"
<b>Hole Location</b>								
<b>Offset Hole</b>	<b>C</b>	15-3/4"	19-1/2"	21-3/4"	23-3/4"	27-3/4"	30-3/4"	33-3/4"
<b>Center Hole</b>	<b>C</b>	12"	16"	18"	20"	24"	27"	30"
<b>Body Thickness</b>	<b>D</b>	1-1/4"	1-3/8"	1-3/8"	1-7/16"	1-1/2"	1-9/16"	1-5/8"

\*Deduct 3/8" for Tile Top Strainer length (Tile Top Strainer is 2" wide)



<sup>1</sup>Complies with ADA guidelines for handicap accessible showers.

