

# Noble Benches

## Installation Instructions

www.noblecompany.com

### 1. PRODUCT & MATERIALS

- 1.1 Noble Benches are made from high density, expanded polystyrene with an acrylic polymer finish and are waterproof and ready to tile. They are lightweight, durable, and are not a food source for fungus and mold.
- 1.2 Other Tools & Materials Needed: Mortar Mix (for leveling), 1/2" x 1/2" Square-Notch trowel, Modified Thin-Set, and 100% Silicone Sealant.

### 2. PREPARATORY WORK

- 2.1 Shower should be waterproofed in accordance with Tile Council of North America (TCNA) guidelines and all applicable codes prior to the installation of the Bench.
- 2.2 Ensure that the walls where the Bench is to be installed are square and plumb.
- 2.3 In order for the Bench to fit the walls, the floor under the Bench must be square to the walls (i.e. leveled/free of slope). Use a mortar mix beneath the Bench for leveling.
- 2.4 Re-check the fit of the Bench with the walls and floor and repeat until the fit is square and level.

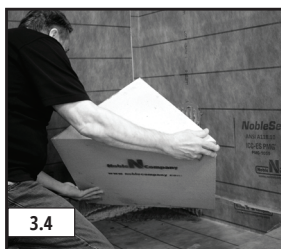
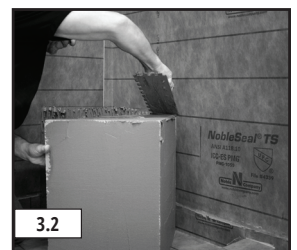
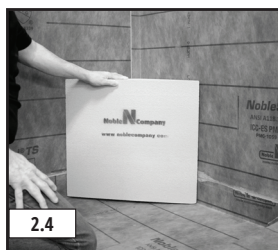
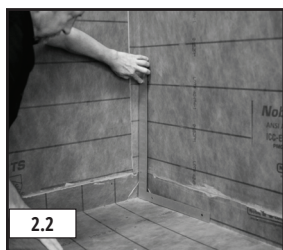
### 3. INSTALLING BENCH

- 3.1 Apply a medium bed, modified thin-set to the walls behind and the floor under the Bench. Use a 1/2" X 1/2" Square-Notch trowel.
- 3.2 Back-butter a thin layer of modified thin-set onto the sides and bottom of the bench to help ensure a tight bond.
- 3.3 Slide the Bench into the thin-set, flattening the ridges.
- 3.4 Ensure that there is complete coverage of the thin-set.
- 3.5 Once Bench is installed, use 100% Silicone Sealant to seal all joints where the Bench meets the walls.
- 3.6 Install tile or stone according to TCNA guidelines.

### 4. ATTACHING BENCHES TOGETHER

- 4.1 Dry fit one Bench to the other.
- 4.2 Apply a medium bed, modified thin-set to the walls behind and the floor under the Bench. Use a 1/2" X 1/2" Square-Notch trowel.
- 4.3 Apply thin-set to side of Bench already installed.
- 4.4 Slide the Bench into the thin-set, flattening the ridges.
- 4.5 Ensure that there is complete coverage of the thin-set.
- 4.6 Once Bench is installed, use 100% Silicone Sealant to seal all joints where the Bench meets the walls and where the two benches meet.
- 4.7 Install tile or stone according to TCNA guidelines.

**NOTE:** For any situation not specifically covered, contact Noble Company's Technical Department at 1-800-878-5788 before proceeding. Follow TCNA guidelines.



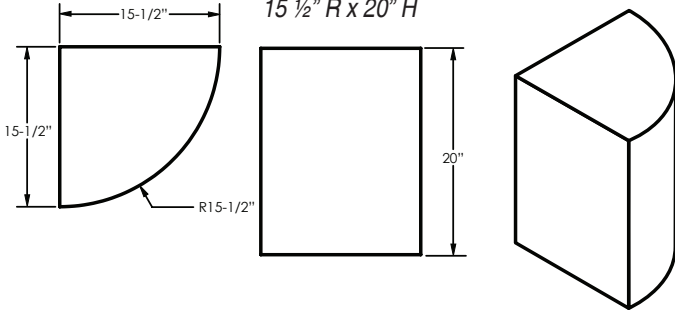
VIEW MORE PRODUCT  
DETAILS, VIDEOS,  
AND DIAGRAMS ONLINE



**CURVED**

Item #406

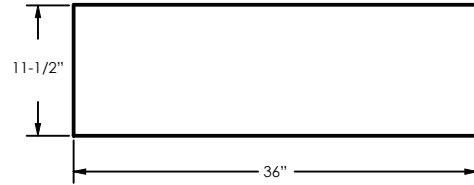
15 1/2" R x 20" H



**RECTANGULAR**

Item #412

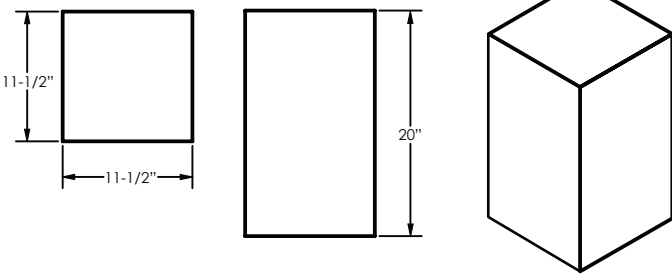
36" W x 20" H x 11 1/2" D



**SQUARE**

Item #404

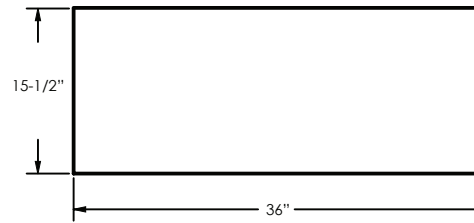
11 1/2" W x 20" H x 11 1/2" D



**RECTANGULAR**

Item #411

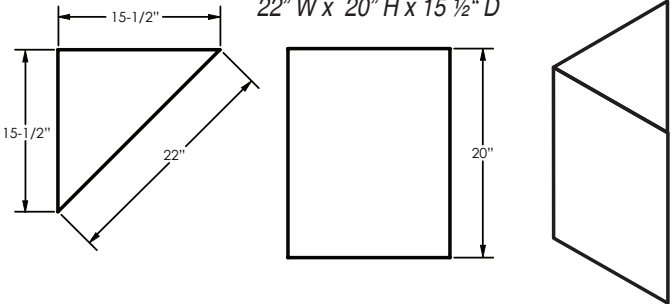
36" W x 20" H x 15 1/2" D



**SMALL TRIANGULAR**

Item #400

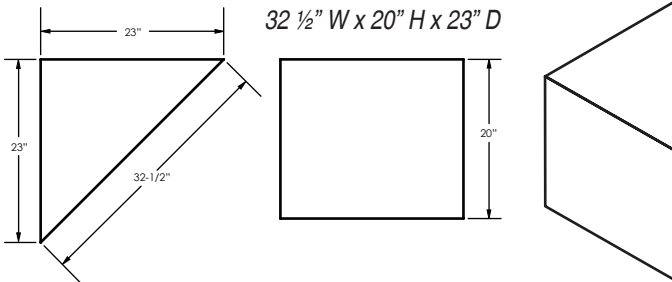
22" W x 20" H x 15 1/2" D



**LARGE TRIANGULAR**

Item #402

32 1/2" W x 20" H x 23" D



DIAGRAMS NOT TO SCALE

NOTE: Actual dimensions may vary +/- 1/8"

