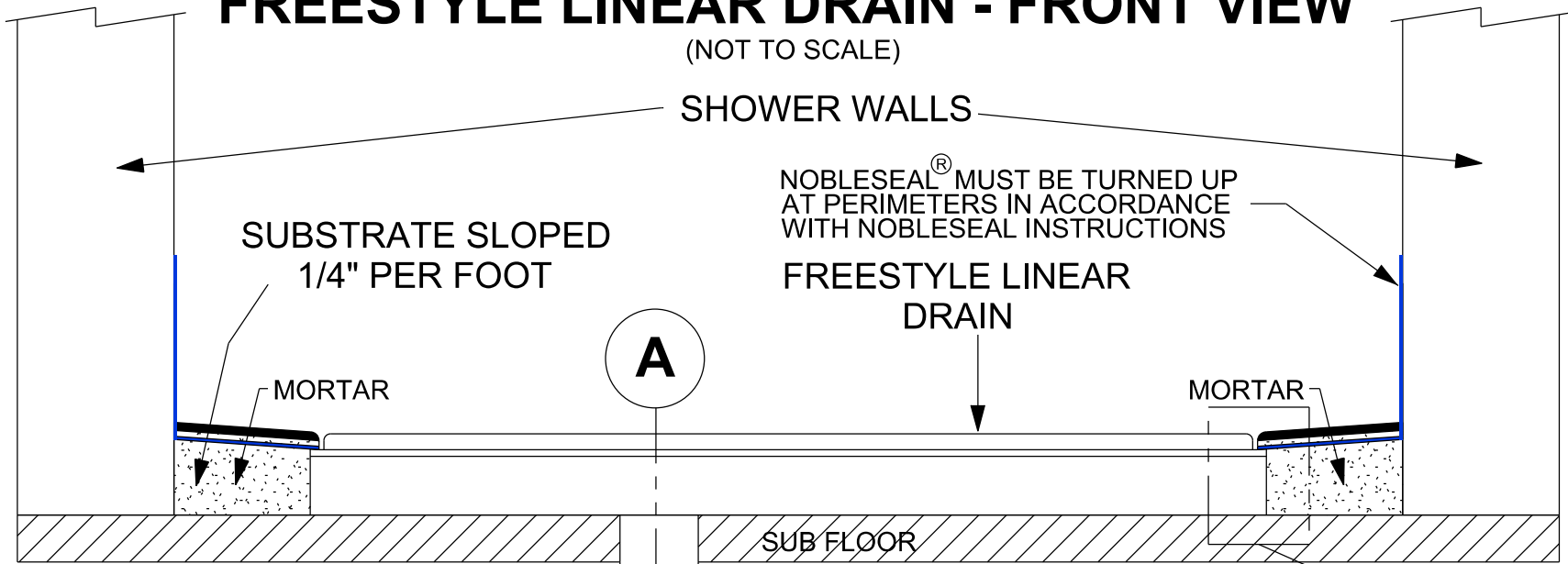


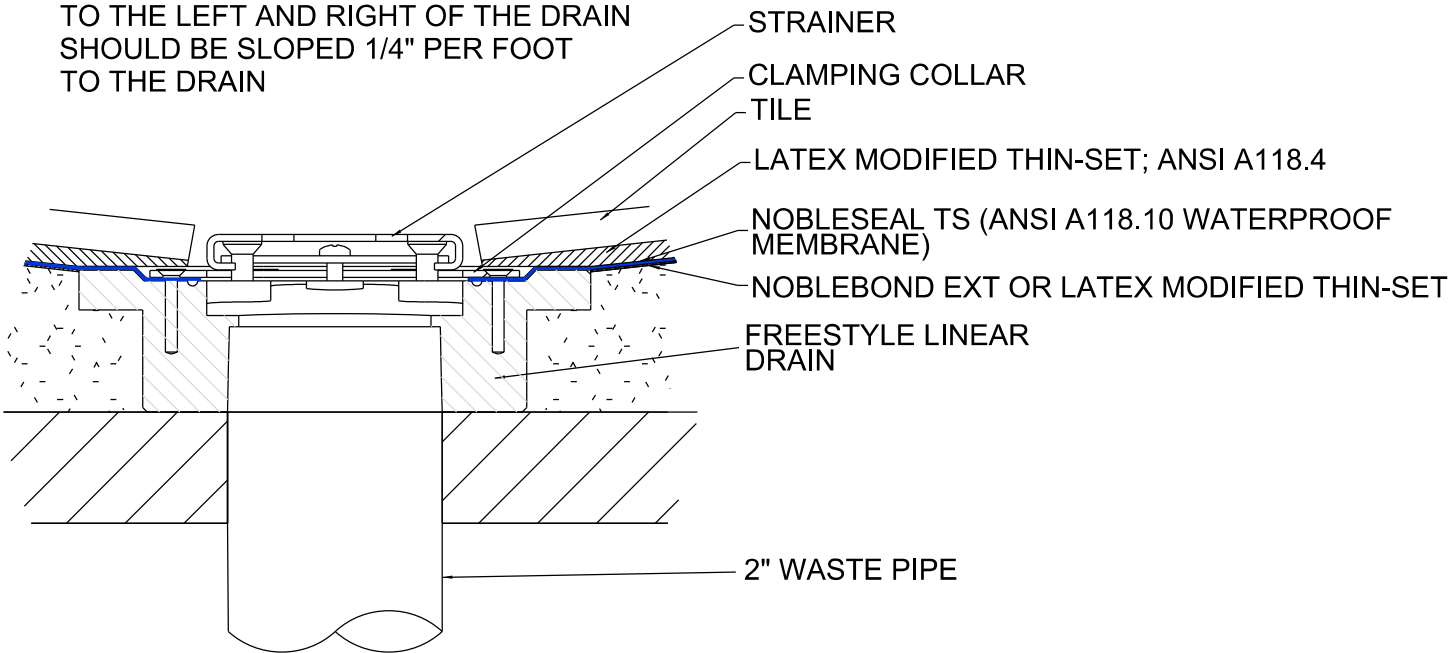
FREESTYLE LINEAR DRAIN™

(NOT TO SCALE)

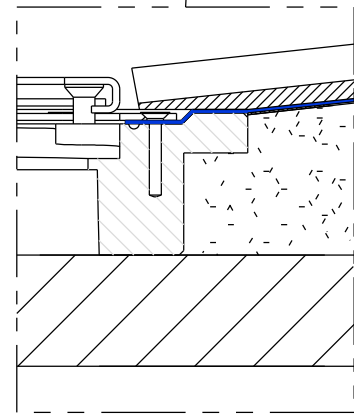


NOTE: WHEN THE SHOWER IS WIDER THAN THE DRAIN, THE SPACES TO THE LEFT AND RIGHT OF THE DRAIN SHOULD BE SLOPED 1/4" PER FOOT TO THE DRAIN

* SUBSTRATE (MUST COMPLY WITH INDUSTRY GUIDELINES)



SECTION "A"



REFER TO SECTION "A" FOR TYPICAL NOTES



Noble Company
 7300 Enterprise Drive, Spring Lake, MI 49456
 Phone: 231-799-8000
 Toll Free: 800-878-5788
 Fax: 231-799-8850
 Email: sales@noblecompany.com

Revision	Date	Description
1		
2		
3		

Project: Product Installation Details
 Drawing Title: NobleDrainDraftingViewFreeStyleLinear Drain-Front View
 Drawn By: RJL
 Date: Feb, 28th 2013
 File: NobleDrainDraftingViewFreeStyleLinear Drain-Front View
 Sheet: