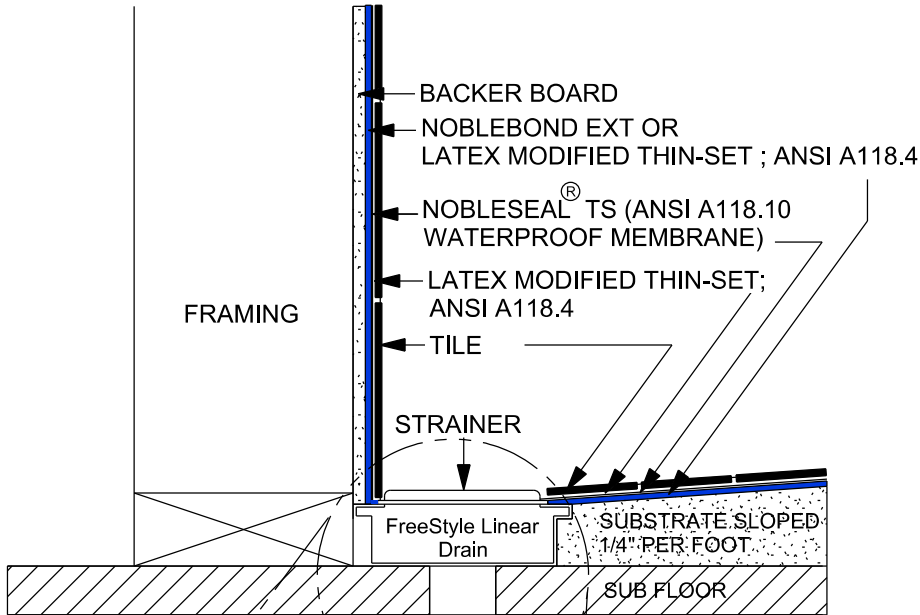
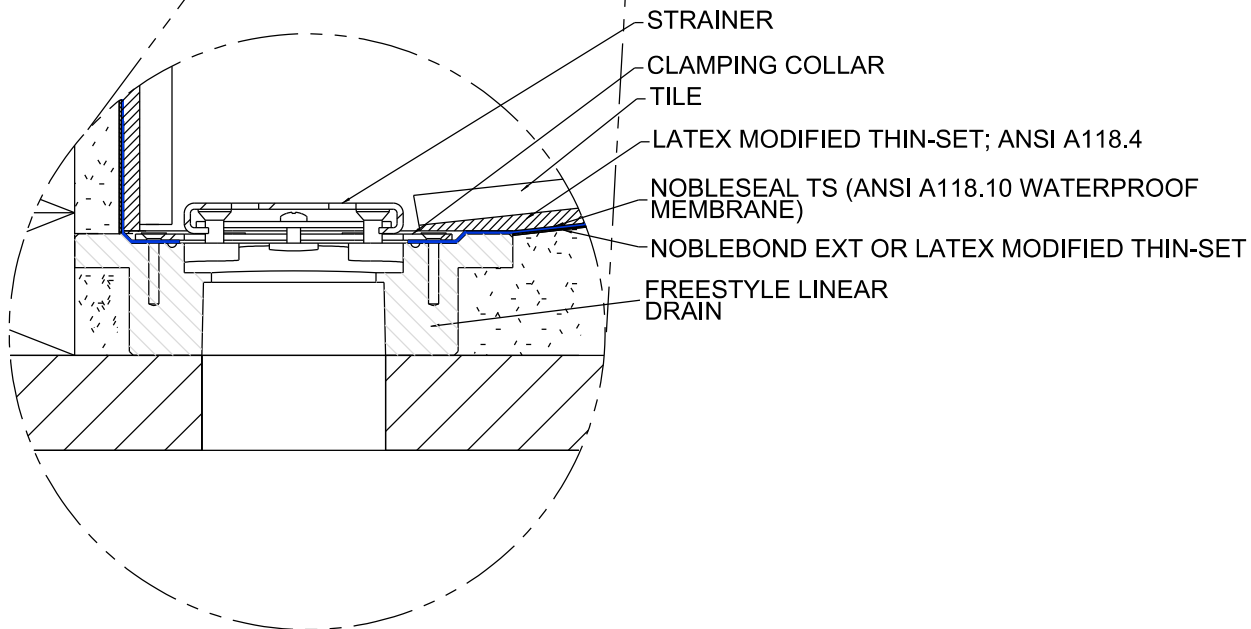


# FREESTYLE LINEAR DRAIN™ ABUTTING A WALL

(NOT TO SCALE)



\* SUBSTRATE  
(MUST COMPLY WITH INDUSTRY GUIDELINES)



**NOT TO SCALE**

\*WATER RESISTANT BACKER BOARD  
RECOMMENDED BY MANUFACTURER  
FOR APPLICATION. INSTALL TO  
MANUFACTURER'S INSTRUCTIONS



**Noble Company**  
7300 Enterprise Drive, Spring Lake, MI 49456

Phone: 231-799-8000

Toll Free: 800-878-5788

Fax: 231-799-8850

Email: sales@noblecompany.com

Revision Date:



Project:

**Product installation Details**

Drawing Title:

**NobleDrainDraftingViewFreeStyleLinearDrain  
AbuttingWall\_Detail**

Drawn By: RJL

Date: Feb. 28th 2013

File Name: NobleDrainDraftingViewFreeStyleLinearDrainAbuttingWall\_Detail

Sheet: